



MUP100

FIRMWARE UPDATE PROCEDURE

ver. 1.3.0119

Table of contents

- **Disclaimer of Product and Services**..... 3
- **Warnings and Precautions**..... 4
- **Warranty** 5
- **MVP-100 firmware update procedure**..... 6
- **MVPKey-100 dimensions**..... 9
- **MVP-100 specification**..... 11

Disclaimer of Product and Services

This manual described herein, in whole or in part, may not be reproduced, translated, or reduced to any machine-readable form without prior written approval. Reckeen provides no warranty with regard to this manual or other information contained herein and hereby expressly disclaims any implied warranties or merchantability or fitness for any particular purpose with regard to this manual, the software, or such other information. In no event shall Reckeen be liable for any incidental, consequential, or special damages, whether based on tort, contract, or otherwise, arising out of or in connection with this manual or other information contained herein or the use thereof. In the manual, the ™ or ® marks are not specified. Reckeen reserves the right to make any modification to this manual or the information contained herein at any time without notice. The information provided in this manual is intended only as guide. All the time, Reckeen will try to give correct, complete and relevant information. However, Reckeen can't exclude that some of the information contained in this manual, from time to time, may not be correct or may be incomplete. This manual may contain omissions, typographical errors or incorrect information. Reckeen always recommends that you carefully check the information given in this manual for accuracy before making any purchase decision or using the product. Reckeen is not responsible for any errors or omissions, or for any subsequent loss or damage resulting from the use the information contained within this manual. For further guidance on the content of this manual or on the product contact your local Reckeen Office or dealer.

Reckeen is not liable and will not compensate for any lost recordings or streamings made to your Reckeen MVP 100, external recording media, or recording devices or any relevant losses, including when recordings are not made due to reasons including your MVP 100 failure, or when the contents of a recording are lost or damaged as a result of your Reckeen MVP 100 failure or repair undertaken to your Reckeen MVP 100. Reckeen will not restore, recover, or replicate the recorded or streamed contents made to your Reckeen MVP 100, external recording media, or recording devices under any circumstances.

FCC NOTICE TO USERS

NOTE: This equipment has been tested and found to comply with the limits for a Class A digital device, pursuant to part 15 of the FCC Rules. These limits are designed to provide reasonable protection against harmful interference when the equipment is operated in a commercial environment. This equipment generates, uses, and can radiate radio frequency energy and, if not installed and used in accordance with the instruction manual, may cause harmful interference to radio communications. Operation of this equipment in a residential area is likely to cause harmful interference in which case the user will be required to correct the interference at his own expense.

Warnings and Precautions

1. Read carefully all of these warnings and save them for later reference.
2. Follow all warnings and instructions marked on this unit.
3. Unplug this unit from the wall outlet before cleaning. Do not use liquid or aerosol cleaners. Use a damp cloth for cleaning.
4. Do not place this unit on an unstable cart, stand, or table. The unit may fall, causing serious damage.
5. Do not use this unit in or near water.
6. Slots and openings on the cabinet top, back, and bottom are provided for ventilation. To ensure safe and reliable operation of this unit, and to protect it from overheating, do not block or cover these openings. Do not place this unit on a bed, sofa, rug, or similar surface, as the ventilation openings on the bottom of the cabinet will be blocked. This unit should never be placed near or over a heat register or radiator. This unit should not be placed in a built-in installation unless proper ventilation is provided.
7. This product should only be operated from the type of power source indicated on the marking label of the AC adapter. If you are not sure of the type of power available, consult your dealer or your local power company.
8. Do not allow anything to rest on the power cord. Do not locate this unit where the power cord will be walked on, rolled over, or otherwise stressed.
9. If an extension cord must be used with this unit, make sure that the total of the ampere ratings on the products plugged into the extension cord do not exceed the extension cord's rating.
10. Make sure that the total amperes of all the units that are plugged into a single wall outlet do not exceed 15 amperes.
11. Never push objects of any kind into this unit through the cabinet ventilation slots, as they may touch dangerous voltage points or short out parts that could result in a risk of fire or electric shock. Never spill liquid of any kind onto or into this unit.
12. Except as specifically explained elsewhere in this manual, do not attempt to service this product yourself. Opening or removing covers that are marked "Do Not Remove" may expose you to dangerous voltage points or other risks, and will void your warranty. Refer all service issues to qualified service personnel.
13. Unplug this product from the wall outlet and refer to qualified service personnel under the following conditions:
 - When the power cord is damaged or frayed;
 - When a liquid has spilled into the unit;
 - When the product has been exposed to rain or water;
 - When the product does not operate normally under normal operating conditions. Adjust only those controls that are covered by the operating instructions in this manual; improper adjustment of other controls may result in damage to the unit and may often require extensive work by a qualified technician to restore the unit to normal operation;
 - When the product has been dropped or the cabinet has been damaged;
 - When the product exhibits a distinct change in performance, indicating a need for service.

Warranty

For a period of one year from the original date of purchase of the product, Reckeen equipment is guaranteed against any manufacturing defects. The original purchase receipt or invoice or other documentary evidence is required. To obtain warranty service, you must deliver the product, in either its original packaging or packaging affording an equal degree of protection. You cover all mail, delivery, transportation and insurance costs. It is your responsibility to backup any data, software or other materials you may have stored or preserved on your unit. It is likely that such data, software, or other materials will be lost or reformatted during service and Reckeen will not be responsible for any such damage or loss. Our warranty doesn't cover damage caused by accidents or unauthorized modifications, installing any other software and repairs, misuse, sand, grit or water. All other claims of any nature are not covered by this warranty. This Warranty is valid only in the country of purchase. REPAIR OR REPLACEMENT AS PROVIDED UNDER THIS WARRANTY IS THE EXCLUSIVE REMEDY OF THE CONSUMER. RECKEEN SHALL NOT BE LIABLE FOR ANY INCIDENTAL OR CONSEQUENTIAL DAMAGES FOR BREACH OF ANY EXPRESS OR IMPLIED WARRANTY ON THIS PRODUCT. EXCEPT TO THE EXTENT PROHIBITED BY APPLICABLE LAW, ANY IMPLIED WARRANTY OF MERCHANTABILITY OR FITNESS FOR A PARTICULAR PURPOSE ON THIS PRODUCT IS LIMITED IN DURATION TO THE DURATION OF THIS WARRANTY. Accessories, such as the battery or the cable, are excluded from the warranty. These terms do not affect your statutory rights.

DISPOSAL ELECTRICAL AND ELECTRONIC EQUIPMENT

SYMBOL FOR THE MARKING OF ELECTRICAL AND ELECTRONIC EQUIPMENT INDICATING SEPARATE COLLECTION: For Customers the countries within the EEA. EEA: European Economic Area, which comprises the EU member States plus Norway, Iceland and Liechtenstein.

WEEE Directive



The symbol – consists of the crossed-out wheeled bin, as shown above. The symbol is indicating that electrical and electronic equipment should not be disposed of as unsorted municipal waste, but segregated for separate collection. For more information about recycling of the product, please contact Reckeen office, the waste authority, the approved WEEE scheme or the dealer/distributor where you purchased the product.



CE Marking is the symbol as shown on the left of this page. The letters "CE" are the abbreviation of French phrase "Conformité Européene" which literally means "European Conformity". The term initially used was "EC Mark" and it was officially replaced by "CE Marking" in the Directive 93/68/EEC in 1993. "CE Marking" is now used in all EU official documents.

2



MVP-100 firmware update
procedure

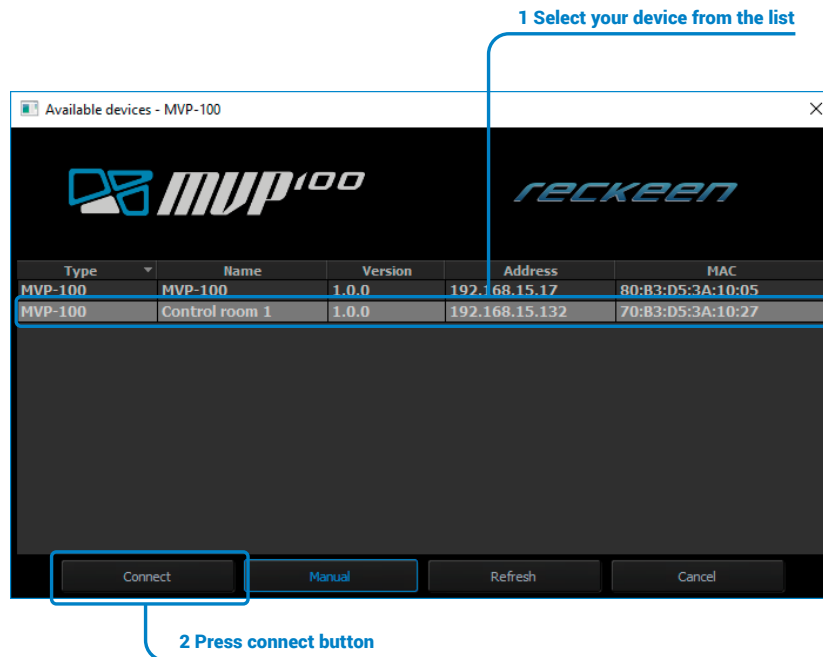
Connections

1. Connect MVP-100 to Ethernet network (1). Picture below. MVP-100 by default use DHCP server to assign its IP address. In case of no DHCP set default IP: 192.168.1.10
2. Connect MVP Control panel (2) and switch its power ON – upgrade procedure will change its firmware as well.



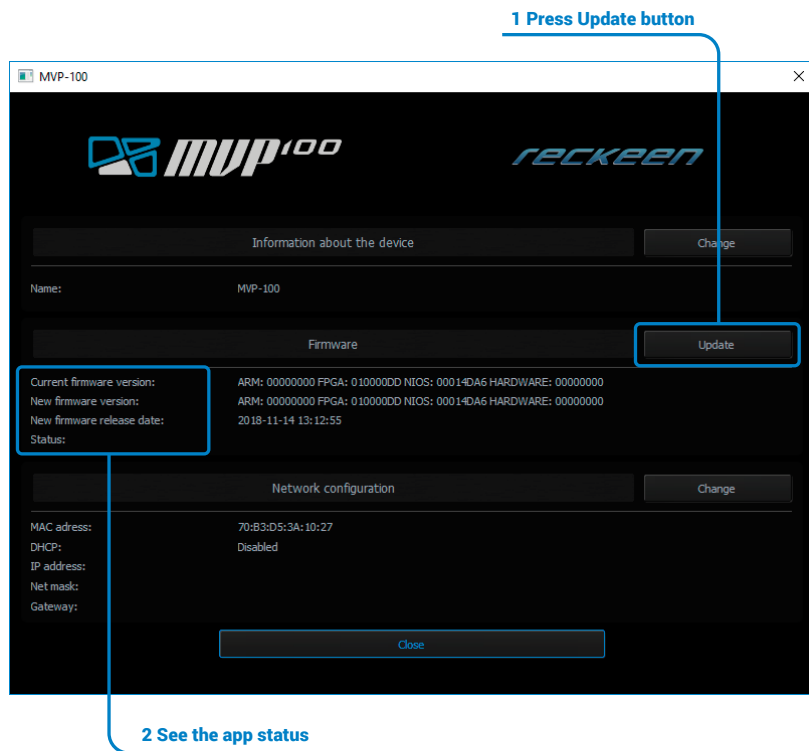
Start MVP application

1. Select your device from the list (1). Picture below.
2. Press connect button (2).

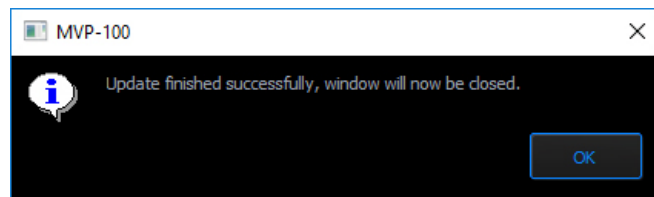


Press Update button (1). Picture below.

1. See the app status (2). Update info also are displayed on MV output.



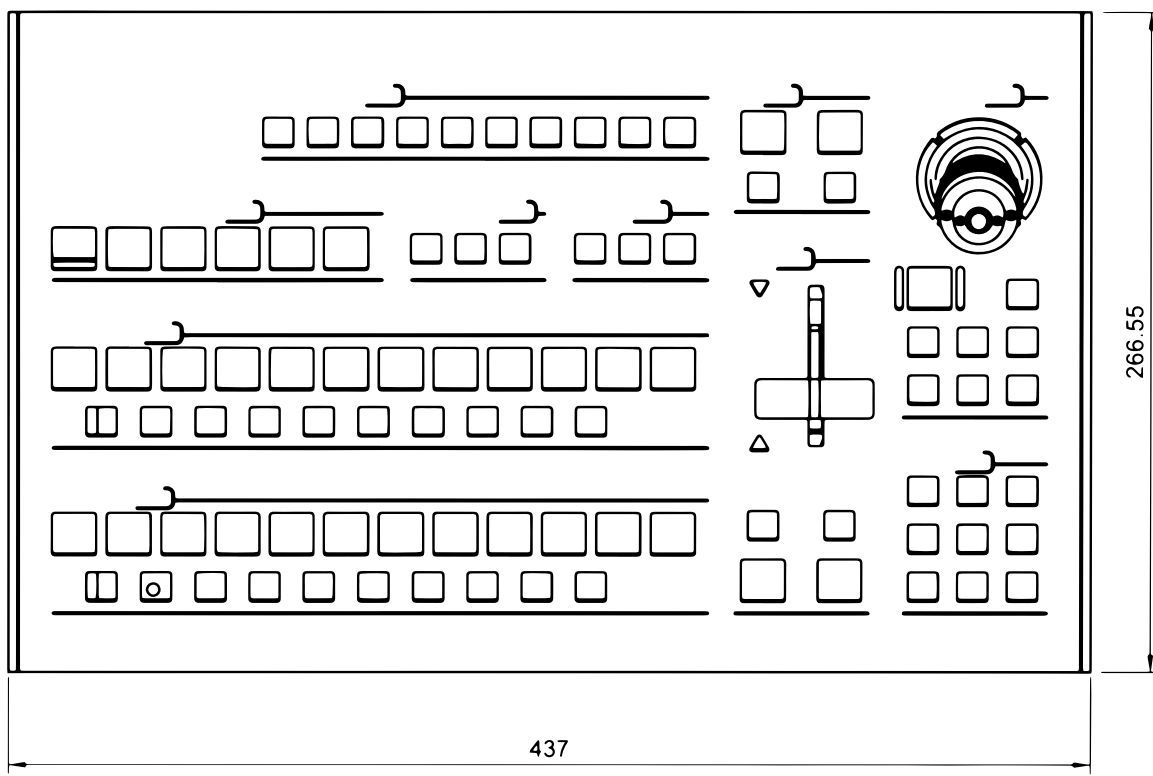
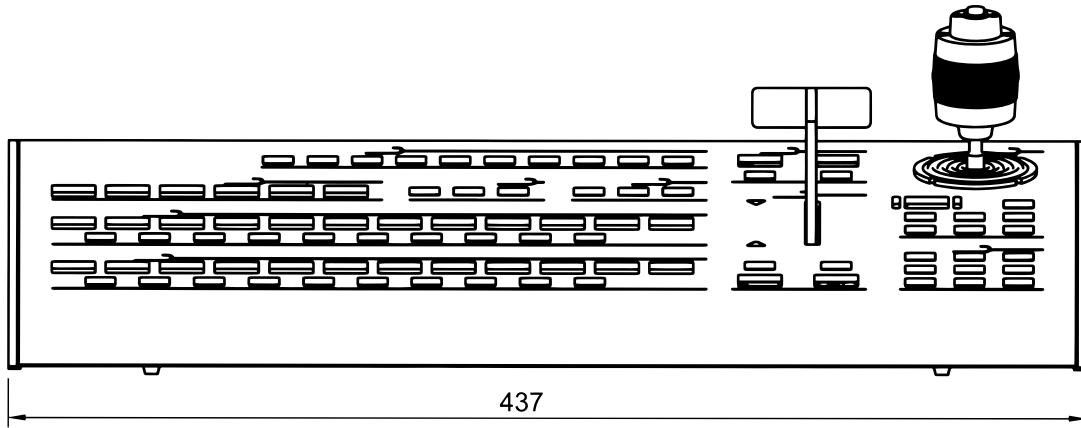
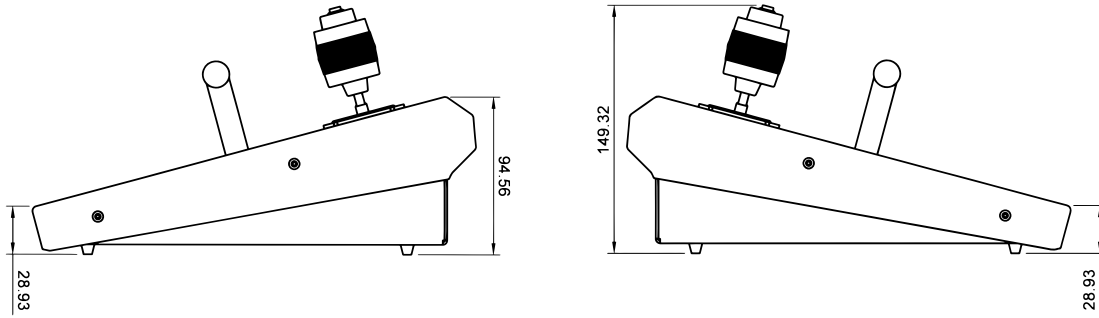
Update finished . Picture below





MVPKey-100 dimensions

3

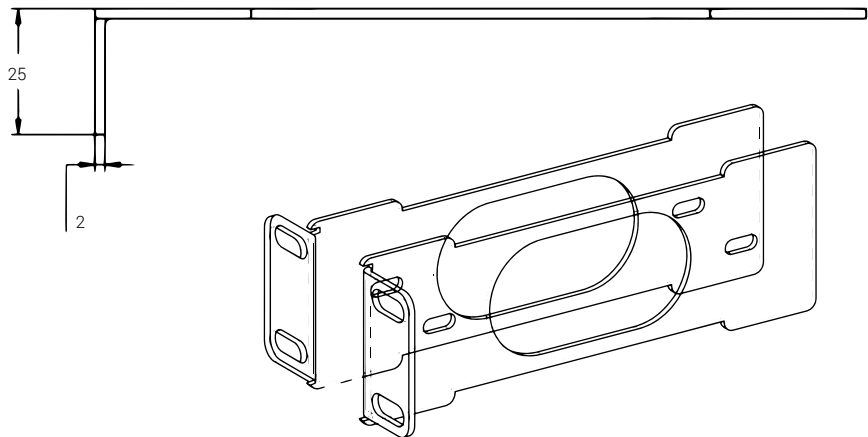
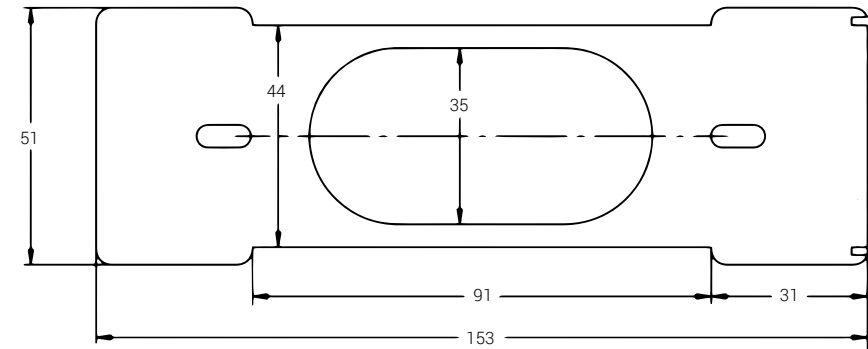
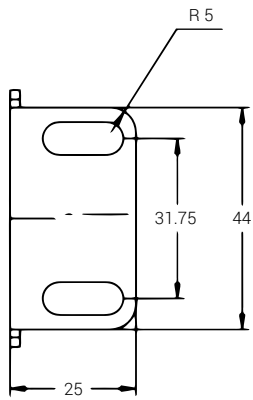
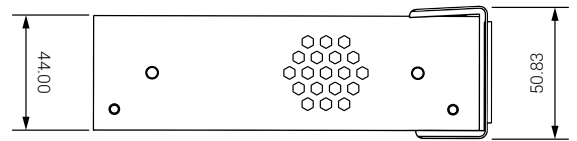
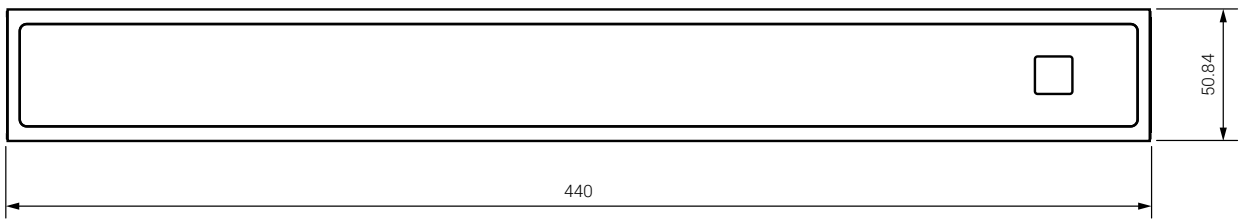
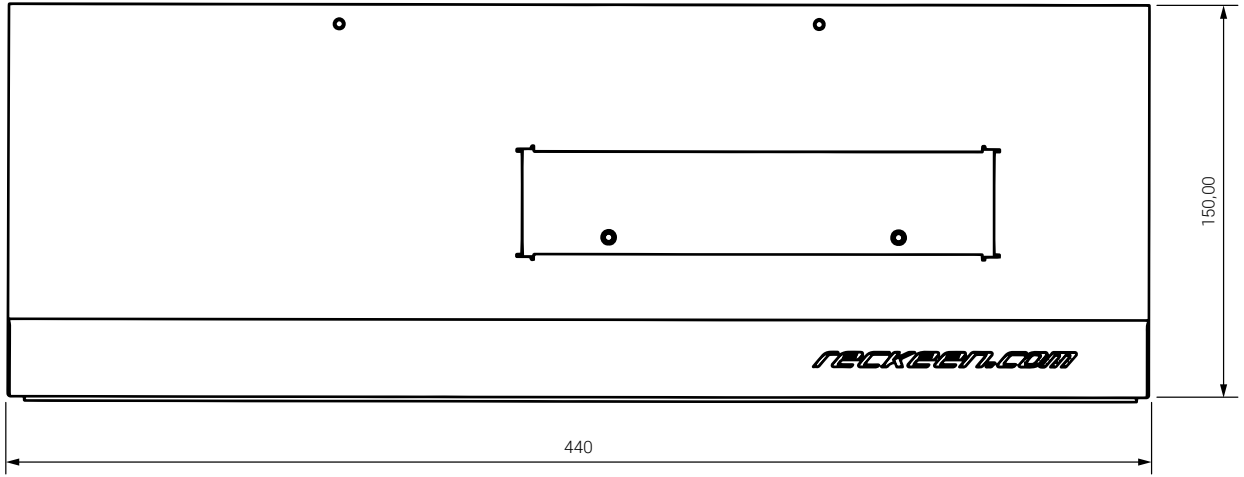


All measurements in millimetres (mm)



MVP-100 specification

4



Inputs

- **Input A**
 - SDI
 - QUAD SDI
 - HDMI
 - 4xSDI
 - CLONE
- **Input B**
 - SDI
 - QUAD SDI
 - HDMI
 - 4xSDI
 - CLONE
- **Genlock**
 - On
 - Off
- **Genlock termination**
 - On
 - Off

Outputs

- **Output format**
 - 720p50
 - 720p59
 - 720p60
 - 1080i50
 - 1080i59
 - 1080i60
 - 1080p25
 - 1080p29
 - 1080p30
 - 1080p50
 - 1080p59
 - 1080p60
- **SDI 3G OUT**
 - Type A
 - Type B

- **OUTPUT ASSIGNMENT**

- SDI Out 1-8
- IN 1-8, PGM, PRV

Transitions

- **MIX RATE**

- VALUE 0 - 5

- **FTB RATE**

- VALUE 0.25 - 5

- **WIPE FXI**

- ORIENTATION
 - HORIZONTAL
 - VERTICAL
 - DIAGONAL TOP
 - DIAGONAL BOTTOM

- **DIRECTIONI**

- NORMAL
- REVERSE

- **SOFTNESS**

- NONE
- MEDIUM
- HIGH

- **RATE**

- VALUE 0.25 - 5

- **FRAME LIMIT**

- None
- 720
- 1080

- **AUDIO**

- MIX
- FOLLOW VIDEO

- **ANIMATION TRIGGERS**


- WINDOW 1 - 8
 - FALLING
 - RISING

- **STATUS**

- FW
- GENLOCK
- FPGA

MVP-100 Accessory List

No	Item	Qty
1	MVP-100 Unit	1
2	DC 12V power adaptor	1
3	USB stick with user manual	1
4	Power cable	1
5	Reckeen holder T4K-K1U-03-01	2
6	Fastening screw for the holder M4x6 Imbus, black finish	4



© Copyright 2018 Reckeen.

All rights reserved. 'Reckeen' is registered trademark.

All other company and product names may be trade marks of their respective companies with which they are associated.